

# EXTRA



## News & Promotions

Valid until 28.02.2026

# THE TTS93 – perfect configuration at an impressive price.

Regardless of whether it is purchased alone or complete with one of our two premium tool sets, the STAHLWILLE TTS93 is the perfect partner for trade and industry alike. Includes many practical features and it comes at an impressive price.

## Tool trolley 93/6 A

Product no. 81200154

**€ 599.00\***  
instead of € 1,176.45



## Select your set!

1

### TTS93 set incl. 130-piece tool set 93/130

Product no. 98830177

**€ 1,099.00\***  
instead of € 2,352.90



2

### TTS93 set incl. 157-piece tool set 93/157QR

Product no. 98830178

**€ 1,399.00\***  
instead of € 2,975.91



978...

What's inside? Get all of the information here: Go to [www.stahlwille.com](http://www.stahlwille.com), enter the product number in the search field and you'll be given an overview of the entire tool range.

MADE IN CRONENBERG  
MADE IN GERMANY



Central locking by means of cylinder lock with folding key. The anti-tilt feature makes it impossible to pull multiple drawers out simultaneously.



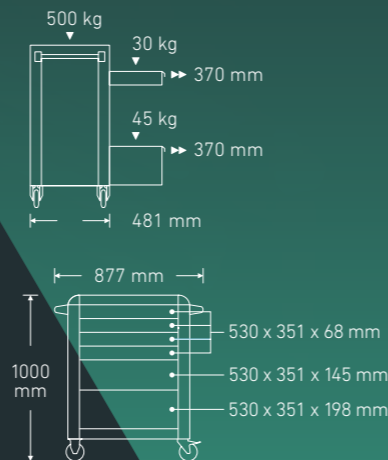
Oil and acid-resistant smooth-running wheels (Ø 125 mm) with fibre guards to protect the bearings from dirt and fibres; with two locking brakes.

100%

All drawers are 100% extendable thanks to the full-extension runners. In combination with the STAHLWILLE standard TCS inserts or the variable drawer dividers, you always have a clear overview of the contents.



High static load capacity of up to 500 kg. The bottom drawer has a load capacity of up to 45 kg!



\*Recommended retail price, valid until 28.02.2026. Only for participating dealers and while stocks last.



# THE TTS95 PRO – compact and manoeuvrable tool trolley with innovative features.

The TTS95 PRO is the premium all-rounder, providing a wide range of highlights such as fully extendable drawers, a three-stage safety concept, and all-round impact protection with shock absorbers. The tightly welded and structured stainless steel worktop is particularly practical, since it is resistant to scratches and prevents liquids from penetrating into the interior of the trolley. Always handy: the paper roll and spray can holder. This model features a high static load-bearing capacity of 750 kg.

## Tool trolley 95/7 A PRO

Product no. 81200163

**€ 729.00\***  
instead of € 1,658.00



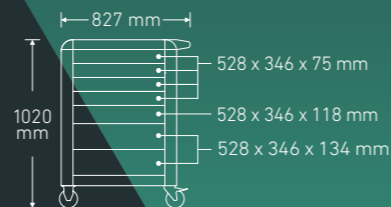
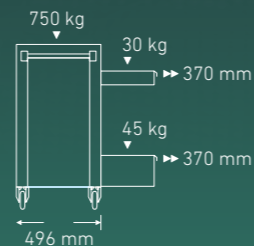
Three-stage safety concept:  
Central locking with recessed cylinder lock located on the side. Together with the folding key, this provides protection against injuries and damage. The individual locking mechanism prevents unintentional opening during movement – the anti-tilt protection makes it impossible to pull out multiple drawers simultaneously.



All drawers are 100% extendable thanks to the full-extension runners. In combination with the STAHLWILLE standard TCS inserts or the variable drawer dividers, you always have a clear overview of the contents.



Oil and acid-resistant smooth-running wheels (Ø 125 mm) with fibre guards to protect the bearings from dirt and fibres; with two locking brakes.



## Select your set!

1

### TTS95 PRO set incl. 157-piece tool set 95/157QR

Product no. 98830192

**€ 1,539.00\***  
instead of € 3,285.88

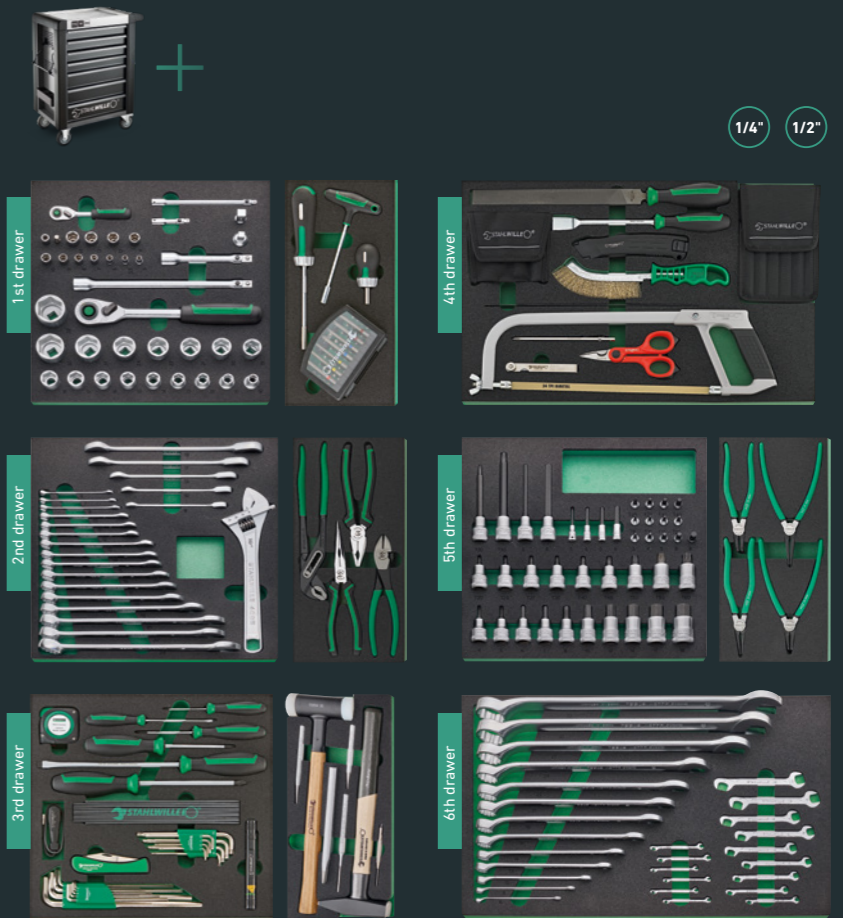


2

### TTS95 PRO set incl. 250-piece tool set 95/250QR

Product no. 98830193

**€ 2,189.00\***  
instead of € 4,739.56



978...

What's inside? Get all of the information here: Go to [www.stahlwille.com](http://www.stahlwille.com), enter the product number in the search field and you'll be given an overview of the entire tool range.

MADE IN CRONENBERG  
MADE IN GERMANY

\*Recommended retail price, valid until 28.02.2026. Only for participating dealers and while stocks last.



# TTS98 PRO – Spaced out.

For those who want – and need – more. Compared to the TTS93 and TTS95 PRO models, the TTS98 PRO offers a 100% larger drawer volume in premium quality. A high static load-bearing capacity of 1,400 kg, a tightly welded stainless steel worktop and many other features leave no room for compromise – but all the more for tools. Including paper roll and spray can holder and all-round impact protection strips with wrap-around bumper.

## Tool trolley 98/7 A PRO

Product no. 81200169

**€ 1,149.00\***

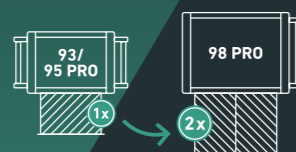
instead of € 2,356.00



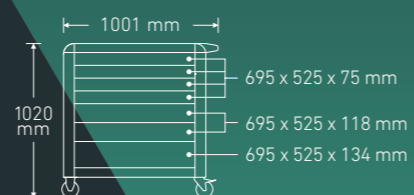
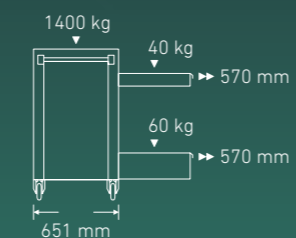
Three-stage safety concept:  
Central locking with recessed cylinder lock located on the side. Together with the folding key, this provides protection against injuries and damage. The individual locking mechanism prevents unintentional opening during movement – the anti-tilt protection makes it impossible to pull out multiple drawers simultaneously.



Oil and acid-resistant smooth-running wheels (Ø 125 mm) with fibre guards to protect the bearings from dirt and fibres; with two locking brakes.



In comparison with the Model TTS93, Tool Trolley 98VA offers 100% more drawer capacity.



## Now also available as a set!

1

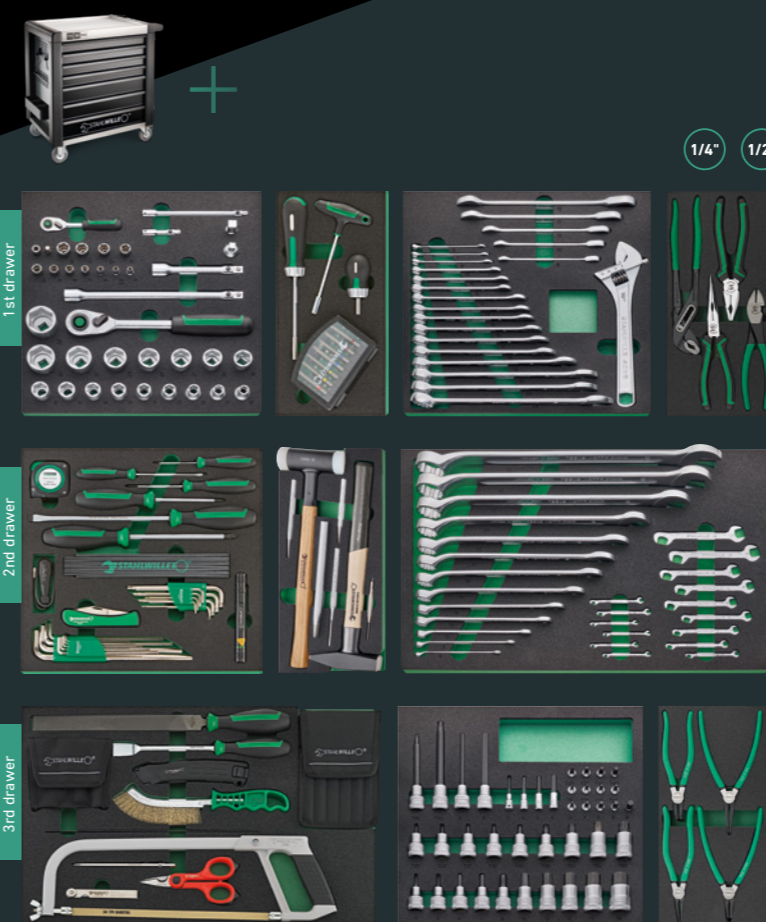
## TTS98 PRO set incl. 250-piece tool set 98/250QR

**NEW**

Product no. 98830234

**€ 2,599.00\***

instead of € 5,702.00



978...

What's inside? Get all of the information here:  
Go to [www.stahlwille.com](http://www.stahlwille.com), enter the product number in the search field and you'll be given an overview of the entire tool range.

MADE IN CRONENBERG  
MADE IN GERMANY

\*Recommended retail price, valid until 28.02.2026. Only for participating dealers and while stocks last.

## MOBILE TOOL STORAGE – Practicality on the move.

### Service trolley 612 ST

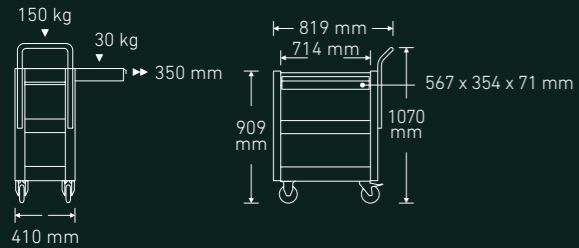
Service trolley (without tools)

- Rubberized wheels (Ø 125 mm) and two parking brakes ensure ease of movement
- Perfectly equipped with a drawer and two shelves
- High static load bearing capacity of 150 kg

Product no. 81300612

€ 189.00\*

instead of € 330,95



### Tool trolley incl. 160-piece tool set 13230 WT/TS

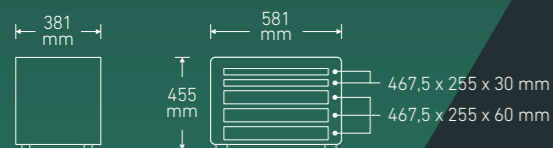
Tool trolley 13217 with a 160-piece premium tool assortment.

- Ideal for professional installations in industrial environments
- Extremely sturdy and resilient tool trolley with extendible telescopic handle
- 5 easily removed lockable drawers with pull-out stop and transparent lid
- With Tool Control System TCS for visually checking the tools are all present and correct

Product no. 98814924

€ 1,389.00 €\*

instead of € 3,000.46



with trolley  
function

Practical organisation:  
Lid compartment and 4 drawers contain the 160-piece tool set, the lower drawer (with a height of 60 mm) is empty for your own customisation.



## THE WB 621 WORKBENCH – the all-rounder with the perfect working height.

The unique layout with two XXL drawers, an additional five drawers and the locker section provides maximum flexibility in terms of loading, and makes the WB 621 the ideal partner for tool storage for tradespeople and industry alike. Includes an individually adjustable paper roll holder for paper rolls up to 30 cm wide.

### Workbench WB 621

Product no. 85010621

€ 1,189.00\*

instead of € 2,377.00



The locker section features a height-adjustable shelf (adjustable in 7 cm increments), two rubberised cable outlets, and a removeable cable duct on the back.



Three-stage safety concept:  
Central locking with recessed cylinder lock located on the side. Together with the folding key, this provides protection against injuries and damage. The individual locking mechanism prevents unintentional opening during movement – the anti-tilt protection makes it impossible to pull out multiple drawers simultaneously.

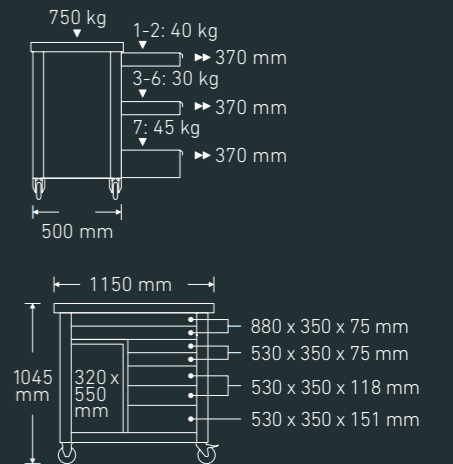


Oil and acid-resistant smooth-running wheels (Ø 125 mm) with fibre guards to protect the bearings from dirt and fibres; with two locking brakes.



Only from STAHLWILLE: Worktop height of 104 cm for comfortable working. The sturdy construction and the multiplex worktop provide the durability that is typical of STAHLWILLE.

Also available in combination  
with three different tool sets.  
More information on  
pages 10 and 11.



# Select your set!

The STAHLWILLE WB 621 workbench offers three sets with different tool assortments - all well thought out and perfectly suited for numerous applications in industry and trades. These include the 238-piece premium tool assortment for use in the agricultural sector and for service work on construction machinery and commercial vehicles.



## 1 WB 621 set incl. 161-piece tool set WB 621/161QR

Product no. 98830194

**€ 2,149.00\***  
instead of € 4,248.76



1/4" 1/2"

## 2 WB 621 set incl. 238-piece tool set WB 621/238 QR

Product no. 98830204

**€ 3,199.00\***  
instead of € 6,636.65



1/4" 1/2"



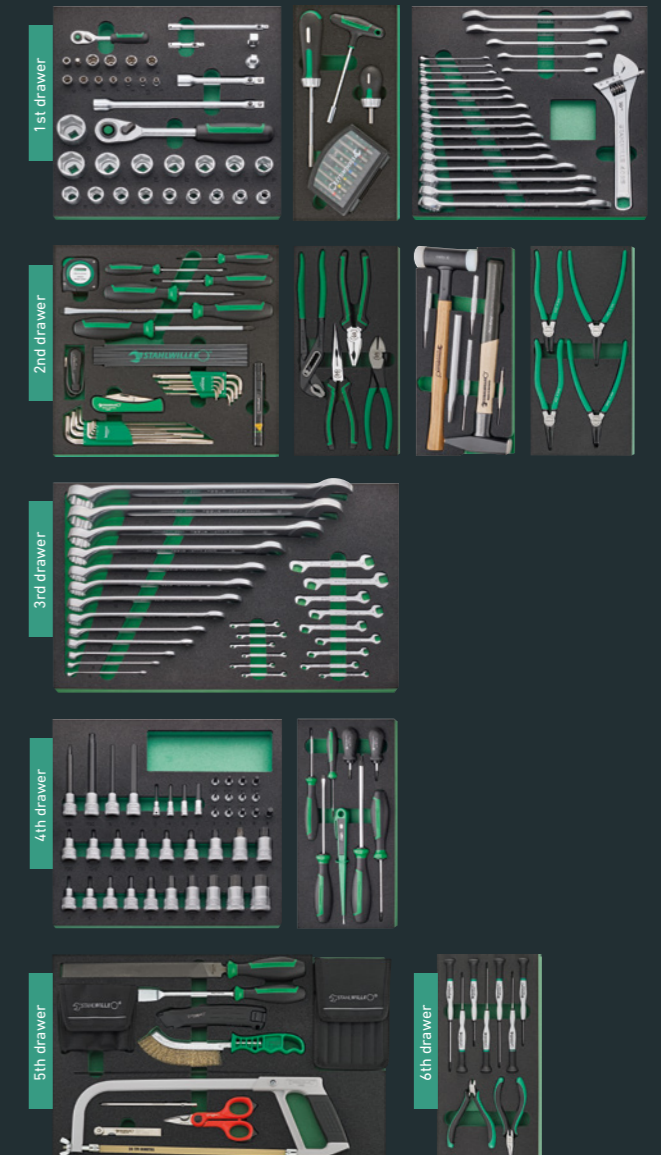
## 3 WB 621 set incl. 267-piece tool set WB 621/267QR

Product no. 98830195

**€ 2,779.00\***  
instead of € 5,929.55



1/4" 1/2"



978...

What's inside? Get all of the information here: Go to [www.stahlwille.com](http://www.stahlwille.com), enter the product number in the search field and you'll be given an overview of the entire tool range.

MADE IN CRONENBERG  
MADE IN GERMANY



# THE WB625 WORKBENCH – Think big! 115 cm of room for lots of premium tools!

With its seven extra-wide drawers, our new workbench WB625 provides a maximum amount of storage space and is also extremely durable. Particularly comfortable: the birch multiplex worktop with a working height of 104 cm. Includes an individually adjustable paper roll holder for paper rolls up to 30 cm wide.

## Workbench WB 625

Product no. 85010625

**€ 1,149.00\***  
instead of € 2,340.00



**104  
cm**



Only from STAHLWILLE: Worktop height of 104 cm for comfortable working. The sturdy construction and the birch multiplex worktop provide the durability that is typical of STAHLWILLE.

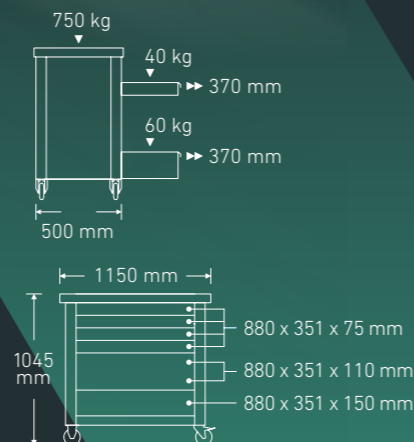
Oil and acid-resistant smooth-running wheels (Ø 125 mm) with fibre guards to protect the bearings from dirt and fibres; with two locking brakes.



Three-stage safety concept: Central locking with recessed cylinder lock located on the side. Together with the folding key, this provides protection against injuries and damage. The individual locking mechanism prevents unintentional opening during movement – the anti-tilt protection makes it impossible to pull out multiple drawers simultaneously.



Everything in XXL. The seven removable drawers with full extension and a width of 880 mm provide lots of storage space. The multiplex worktop is not only extremely large (1150 x 500 x 30 mm), but is also FSC-certified.



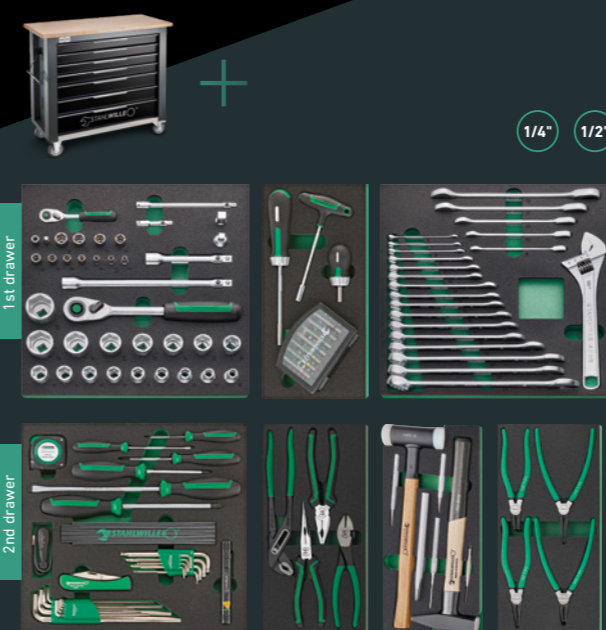
## Select your set!

1

### WB 625 set incl. 161-piece tool set WB 625/161QR

Product no. 98830179

**€ 2,099.00\***  
instead of € 4,211.44



1/4" 1/2"

2

### WB 625 set incl. 267-piece tool set WB 625/267QR

Product no. 98830181

**€ 2,779.00\***  
instead of € 5,892.22



978...

What's inside? Get all of the information here: Go to [www.stahlwille.com](http://www.stahlwille.com), enter the product number in the search field and you'll be given an overview of the entire tool range.

MADE IN CROENBERG  
MADE IN GERMANY

\*Recommended retail price, valid until 28.02.2026. Only for participating dealers and while stocks last.

# THE NEW WORKBENCH WB 630 – High performance meets powerful features!

The BIG one! The WB 630 not only has a particularly sturdy design, but with a width of 200 cm it also offers a particularly large work surface. It also impresses with a comprehensive range of features that make it the perfect partner for work in trade and industry.

Available from  
June 2025!

**NEW**

## Workbench WB 630

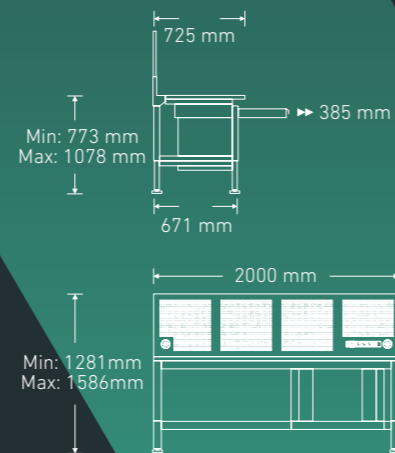
Product no. 85010630

**€ 799,00\***  
instead of € 1,589.00



Incl. holder for TOP  
BOX – optional extra.

Height adjustable  
in 25 mm  
increments.



**1000  
kg**

With a static load bearing capacity of 1,000 kg and a 3 cm thick, FSC-certified wooden top with a width of 200 cm of rubberwood, the WB 630 is also ideal for the 'heavy jobs'. The individual height adjustment ensures back-friendly work. This means that workshop trolleys do not fit under the workbench.



The WB 630 simply offers more. No matter whether perforated rear panel for attaching tools, spray can and paper roll holders, EU triple socket with two USB ports, two rubberised cable grommets, height adjustment in 25 mm increments on the legs (up to 30.5 cm) or levelling feet for precise alignment of the workbench. Everything is included here.



The lockable drawer with internal dimensions of 530 x 350 x 74.5 mm for sufficient space and is TCS-compliant. Thanks to the telescopic full-extension runner with ball cage guide it can be pulled out smoothly and completely for maximum convenience and quick access. The drawer can be mounted on the left or right, as can the TOP BOX bracket.

**XXL**

Stationary or mobile tool storage? Simply both. The workbench offers an integrated holder that can be installed on the left or right holder for the optional STAHLWILLE TOP BOX. This provides plenty of space for tools and can also be mounted on the TOP BOX caddy (optional extra) and on the STAHLWILLE TTS93 workshop trolley.

## Select your set!

1

### WB 630 set incl. TOP BOX WB 630 TB

Product no. 85010630 + 81200157

**€ 1.198,00\***  
instead of € 2,335,00



TOP Box for  
Workbench WB 630



TOP BOX Caddy

Removeable and  
transportable on  
the optional TOP  
BOX Caddy!

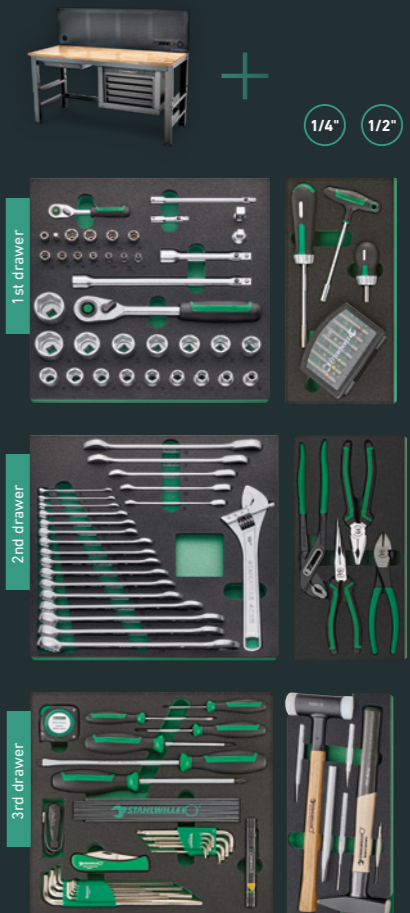


2

### WB 630 set incl. TOP BOX and 157-piece tool set WB 630 TB 157 QR

Product no. 85010630 + 81200157 + 97830255

**€ 1.997,00\***  
instead of € 4,133.83



1st drawer

2nd drawer

3rd drawer

1/4" 1/2"

978...

What's inside? Get all of the information here: Go to [www.stahlwille.com](http://www.stahlwille.com), enter the product number in the search field and you'll be given an overview of the entire tool range.

#### WB 630 Workbench

Product no.	Model	Description	W mm	H mm	L mm	EXTRA price excl. VAT.	instead of € excl. VAT.
85010630	WB 630	Workbench, empty	2000	1281 – 1586	725	799.00	1,589.00
		Workbench, empty, without rear panel	2000	773 – 1078	725		
81200157	93 TOP BOX	TOP Box for Workbench WB 630	748	463	481	399.00	746.00
97830255	TCS 821/6	157-piece premium tool set for WB 630	-	-	-	799.00	1,589.00
81200158	93 TOP BOX CADDY	TOP BOX Caddy	719	221	475	119.00	225.00

\*Recommended retail price, valid until 28.02.2026. Only for participating dealers and while stocks last.



**TORQUE WRENCH** – precision made in Cronenberg.



16

**Wheel-change set**  
721QR/20/3/1 Quick

The 5-piece wheel change set comes in a sturdy and practical plastic case that accommodates all of the most important tools for changing a wheel in one set.

- Torque wrench with a measuring range of 40–200 N·m
- Permanently installed 1/2" ratchet and QuickRelease safety lock
- Special plastic coating protects the alloy wheels, wheel bolts and wheel nuts
- Colour-coded to make it quicker to find the right size

Product no. 96507214

**€ 298.00\***

instead of € 626.61



**No resetting to "0"**

Unlike conventional torque wrenches, resetting to "0" to release the spring is not necessary.



**1/2" IMPACT socket set**  
51IMP K/3

3-piece wheel nut socket set with colour coded plastic sleeves, gentle on rims, in plastic case. Contents: 17 mm (green); 19 mm (blue); 21 mm (red).  
Product no. 96838103

**€ 35.90\***

instead of € 73.31

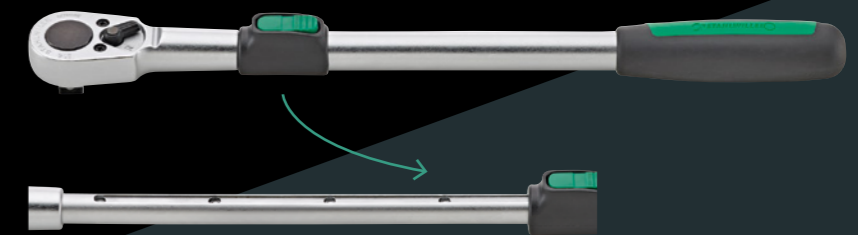
**RATCHETS** – specially designed for heavy loads and efficient working. Whilst maintaining reliability.

**Telescopic ratchet 1/2"**  
516

- 5-fold adjustable shaft, 410, 465, 520, 575 and 630 mm
  - Robust 36-tooth ratchet drive, Working angle 10°
  - Maintenance-free, durable slide bearing
- Product no. 13160000

**€ 81,90\***

instead of € 148.09



5 adjustable locking positions



The length can be adjusted conveniently and even with one hand in 55 mm increments (410 mm, 465 mm, 520 mm, 575 mm and 630 mm) using the rocker switch.



The robust ratchet has 36 teeth, and is manufactured in accordance with DIN 3122/ ISO 3315.



The extension operates using maintenance-free slide bearings and stop protection, operates quickly and safely and is extremely durable.



The clockwise and counter-clockwise change-over switch is slightly recessed. This avoids accidental switching during use.

17

**Ratchet set**  
1/4" + 1/2"  
415QR/512QR

2-piece QuickRelease fine tooth ratchet set with 1/4" and 1/2" drive.

- Eighty teeth provide a ratchet angle of only 4.5° – facilitating efficient working in confined spaces.
- STAHLWILLE QuickRelease is the only locking system that locks every single item in the tool chain - from the ratchet, the extension, universal joints to the socket.

Product no. 91336421

**€ 96.00\***

instead of € 190.37



MADE IN CRONENBERG  
MADE IN GERMANY

\*Recommended retail price, valid until 28.02.2026. Only for participating dealers and while stocks last.



**TOOL SETS** – because every job is different. These sets provide better reliability and efficiency – thanks to their top quality.



**Socket set 1/4" + 1/2"**  
40/52/45/12QR

57-piece Socket set 1/4" + 1/2", with 2 QuickRelease fine tooth ratchets, a selection of screwdriver and bit-screwdriver bits and HPQ® sockets (4–13 mm).  
Product no. 91222607

**€ 369.00\***  
instead of € 855.94



**Socket set 1/4"**  
40/20/4QR SCI

24-piece 1/4" socket set, including Quick-Release fine tooth ratchet, 10 HPQ® sockets (5–13 mm) and a selection of bits. In a practical soft case.  
Product no. 96010127

**€ 124.00\***  
instead of € 258.30

**SPANNER** – lightweight meets robust high performance steel and comfortable rounded finish.



**Set of combination spanners**  
13/8

8-piece set, contents: 8; 10; 13; 16; 17; 18; 19; 22 mm  
Product no. 96400807

**€ 73.90\***  
instead of € 137.83



**Ratchet combination spanner set**  
17/5

5-piece set, contents: 8; 10; 13; 17; 19 mm  
Product no. 96411705

**€ 77.90\***  
instead of € 143.62



Ring side 15° angled and reversible



**Plastic scraper set**  
10682/5

5-piece plastic scraper set for damage-free removal of seals, sealants, and residue. Made from fiberglass reinforced plastic in signal colour bright green. With different blade shapes and widths. In a practical textile case.  
Product no. 96722700

**€ 39.90\***  
instead of € 85.87



**Screwdriver set**  
4687

5-piece screwdriver set – in a practical assortment of different drives (slotted and Philips).  
Product no. 96469113

**€ 23.90\***  
instead of € 49.10



**NEW**

**Electronic screwdriver set TORX®**  
4754/7

7-piece Electronic screwdriver set TORX® T4; T5; T6; T7; T8; T9; T10. Rotating cap with ergonomic finger recess for precise work. The specially hardened black tip guarantees a long service life. In sturdy polyester roll-up tool pouch with Velcro closure.  
Product no. 96479716

**€ 49.90\***  
instead of € 96.15



**Ratchet combination spanner set**  
17/12

12-piece set, contents: 8; 9; 10; 11; 12; 13; 14; 15; 16; 17; 18; 19 mm  
Product no. 96411712

**€ 177.00\***  
instead of € 341.68



Ring side 15° angled and reversible



**Ratchet combination spanner set**  
17/15

15-piece set, contents: 8; 9; 10; 11; 12; 13; 14; 15; 16; 17; 18; 19; 21; 22; 24 mm  
Product no. 96411715

**€ 259.00\***  
instead of € 589.40



Ring side 15° angled and reversible



# BRIGHT PROSPECTS – lighting for for maximum safety and comfort.



## Work light 13134

The all-rounder with powerful luminosity for mobile use.

- With 300 Lumen (up to 500 Lumen in quick boost mode) and range of 26 m
- Practical magnet and clip for universal use
- Operating duration up to 3 hours, rechargeable via USB-C cable with type C connection
- Charge level indicator
- Protection Class IK07 / IPX3

Product no. 77490016

**€ 22.90\***

instead of € 38.68



## Torch 13132

Professional aluminium torch with a highly efficient reflector system.

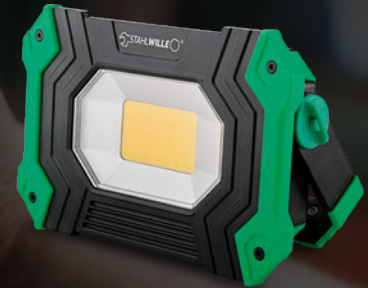
- Up to 130 lumens and 75 m range
- Sturdy aircraft-grade aluminium case
- With a practical clip and hand strap
- Lights for up to 4 hours

Protection class IP 54

Product no. 77490014

**€ 18.90 €\***

instead of € 30.97



## Spotlight 13133

Rechargeable spotlight for professional use.

- Includes power bank feature and charge level indicator
- Long operating duration of up to 13 hours (dimnable in three stages: 700 lm, 1400 lm, 2800 lm)
- With a magnet holder and a 360° rotating hanging hook
- Sturdy plastic case with rubberised edge, protection class IP 64

Product no. 77490015

**€ 69.90\***

instead of € 123.89

\*Recommended retail price, valid until 28.02.2026. Only for participating dealers and while stocks last.

Available from your STAHLWILLE dealer

STAHLWILLE sales office Austria and CEE countries · Puchgasse 1/1.07 · 1220 Wien · Österreich (Austria)  
Tel.: +43 1 6167616 · Fax: +43 1 6167555 · info@stahlwille.de · www.stahlwille.com

STAHLWILLE Eduard Wille GmbH & Co. KG · Lindenallee 27 · 42349 Wuppertal · Germany  
Tel.: +49 202 4791-0 · Fax: +49 202 4791-200 · info@stahlwille.de · www.stahlwille.com

© STAHLWILLE Eduard Wille GmbH & Co. KG // 05-04-25 DTS // V 1.1 // 91970304  
Subject to technical changes and errors. No liability for printing errors.